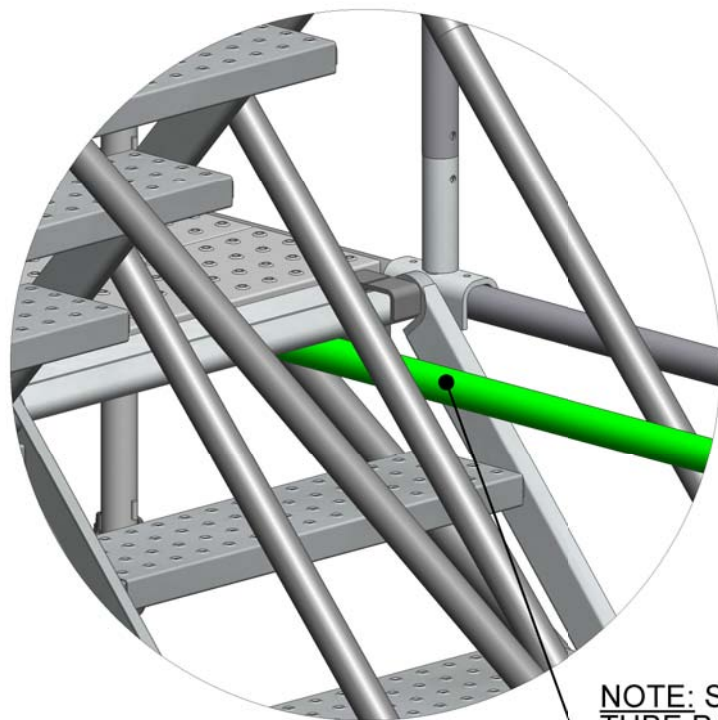


GUIDANCE NOTES

COMPONENTS PER LIFT

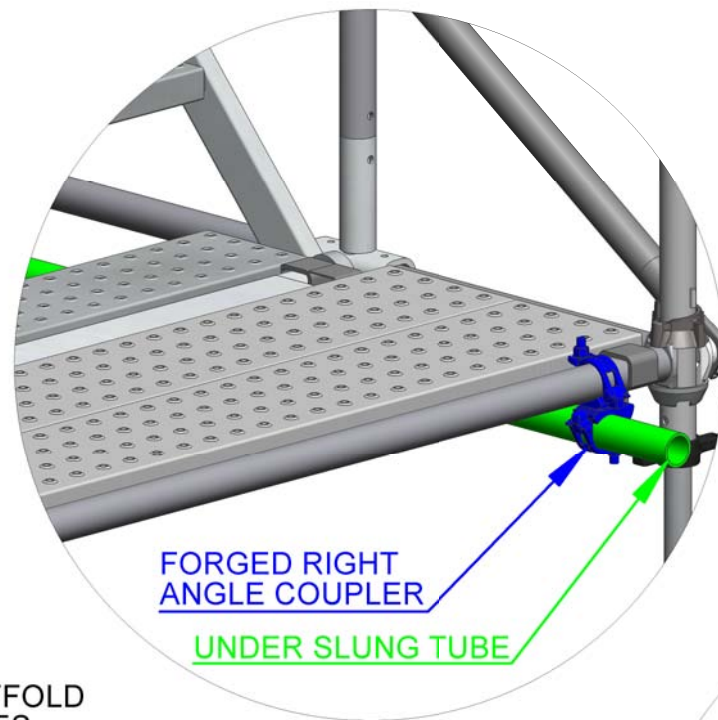
- EN39 SCAFFOLD TUBE 3.3m LONG x 2 No.
- EN74 RIGHT ANGLE FORGED COUPLER x 4 No.

FIX SCAFFOLD TUBE TO UNDERSIDE OF 1.8m CUPLOK HORIZONTAL, 150mm FROM CUPLOK STANDARD.



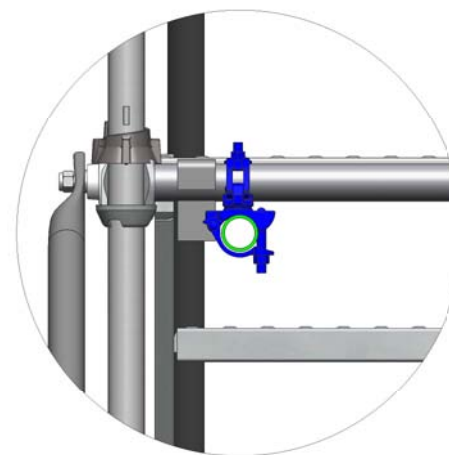
DETAIL A
SCALE 1 : 10

NOTE: SCAFFOLD TUBE PASSES THROUGH BETWEEN DECK AND TOP TREAD

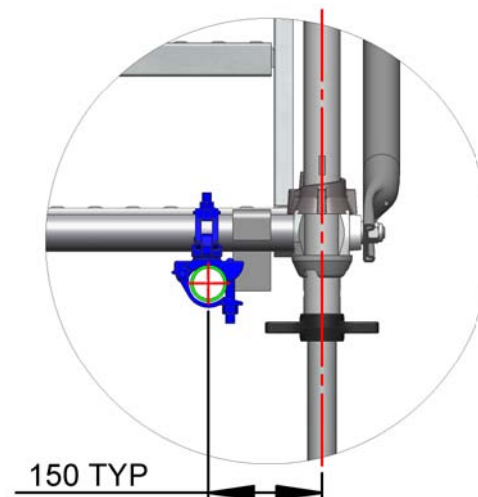


FORGED RIGHT ANGLE COUPLER
UNDER SLUNG TUBE

DETAIL B
SCALE 1 : 10

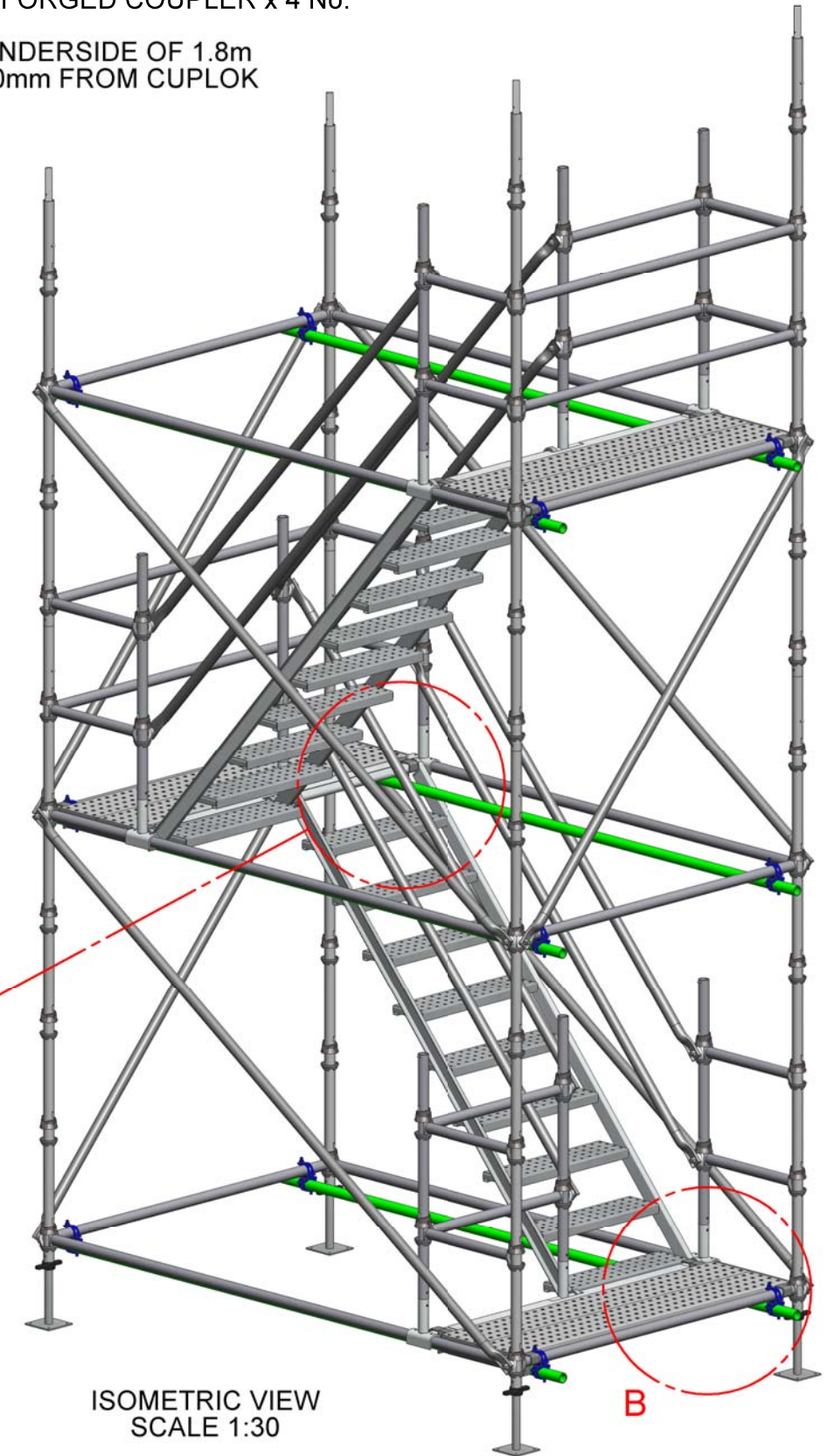


DETAIL C
SCALE 1 : 10

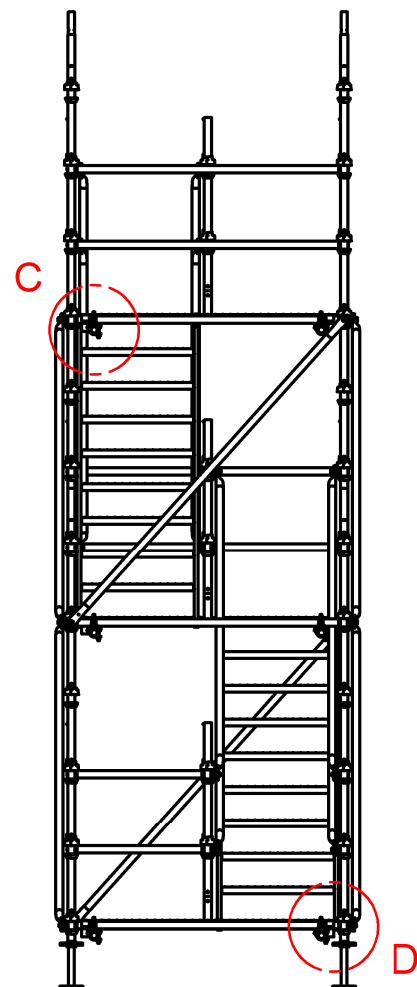
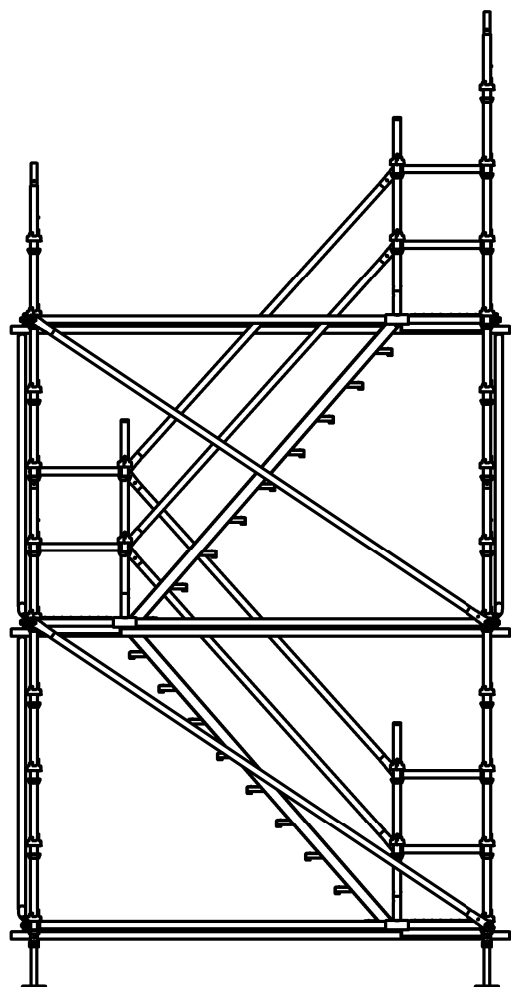


150 TYP

DETAIL D
SCALE 1 : 10



ISOMETRIC VIEW
SCALE 1:30



MATERIAL		Cuplok 4 leg staircase - Batten Bearer Fail Safe			
FINISH		PRODUCT GROUP			
Metric	A3	MANUFACTURE IN ACCORDANCE WITH THE CURRENT HARSCO ENGINEERING STANDARD SPECIFICATION DOCUMENT P06/001.		Cuplok	
		NEVER SUPPLY TO WORK IN PROGRESS REVISION (W) DRAWINGS OR DEVELOPMENT STATUS DRAWINGS WITHOUT PRIOR AGREEMENT FROM HARSCO GROUP ENGINEERING.	DRAWN: JT	WEIGHT kg	STATUS
		© HARSCO INFRASTRUCTURE COPYRIGHT. THIS DRAWING IS THE COPYRIGHT OF HARSCO INFRASTRUCTURE. NO UNAUTHORISED USE, COPY OR DISCLOSURE TO BE MADE.	DATE: 14/05/2010	871.12	DEVELOPMENT
			PREVIOUS No.	SCALE	DRG NO
				1:50	D10147
					REV SHT
					.A 1 OF 1